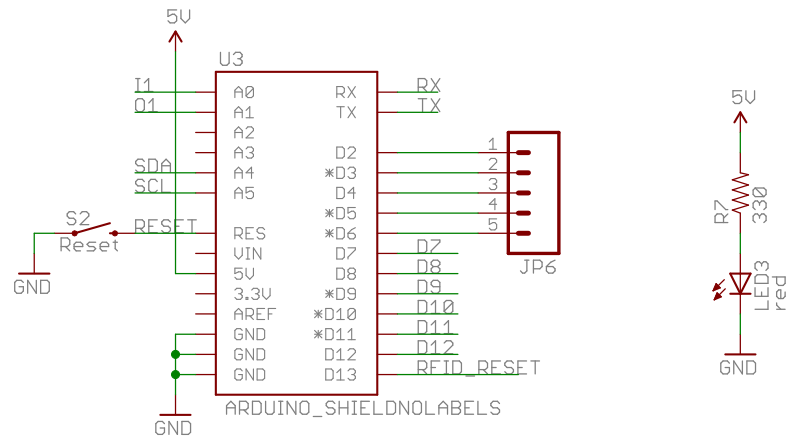
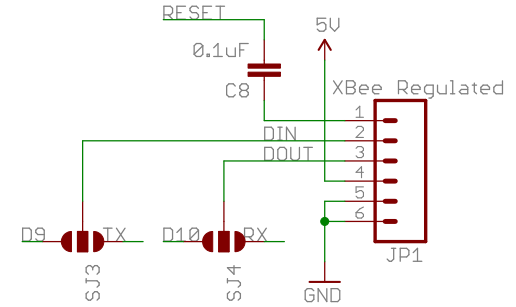


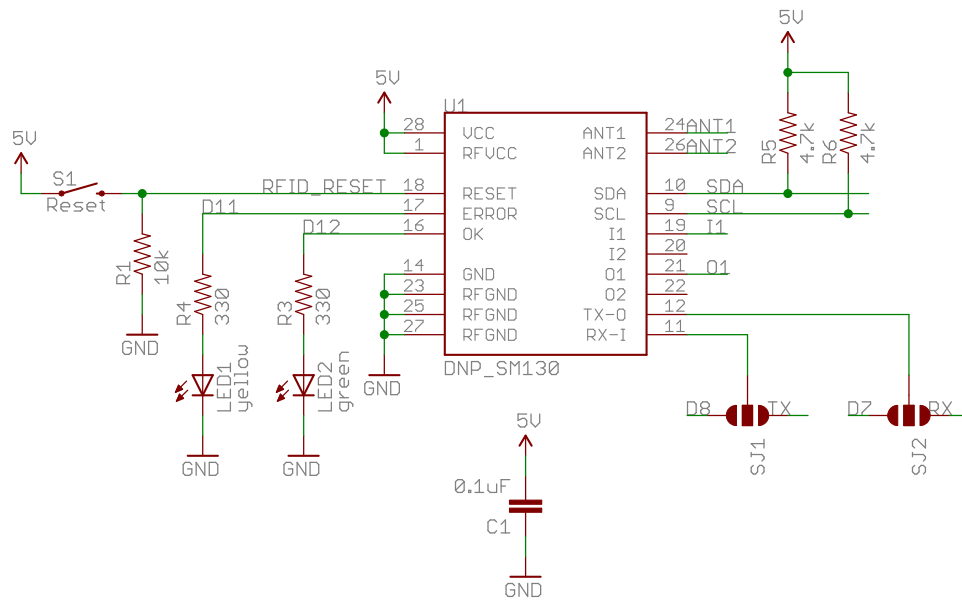
ARDUINO



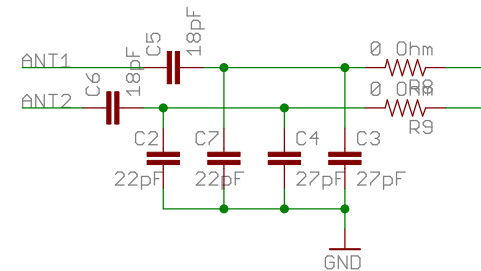
XBee



RFID



RF



○ ○ ○ ○ ○
⊗ ⊗ SFE SFE SFE

TITLE: RFID_Eval_13.56MHz-v14

Document Number: _____ REV: _____

Date: 2/23/2011 1:11:29 PM Sheet: 1/1